

SDS30WC

30-INCH STORAGE DRAWER, SHORT

PUSH TO OPEN



FEATURES & BENEFITS

- Our storage drawer is the perfect combination of uncompromising performance, unique convenience features and elegant design
- Perfect size to place trays and accessories
- Created for both design and functionality with the Thermador steam oven

GENERAL PROPERTIES

Door Opening	Push to Open
--------------	--------------

CAPACITY

Cavity Capacity	0.8 cu. ft.
-----------------	-------------

DIMENSIONS & WEIGHT

Overall Appliance Dimensions (HxWxD)	3 3/8" x 29 3/4" x 24 1/2"
--------------------------------------	----------------------------

Required Cutout Size (HxWxD) – Standard*	27 5/8" - 28 5/8" x 28 1/2" x 23 1/2"
--	--

Required Cutout Size (HxWxD) – Flush*	29 1/8" x 30" x 24 1/2"
---------------------------------------	-------------------------

Net Weight	29 lbs
------------	--------

WARRANTY

Limited Warranty Parts and Labor	2 Year
----------------------------------	--------

*When installed with Thermador steam oven MEDS301WS or PODS301W

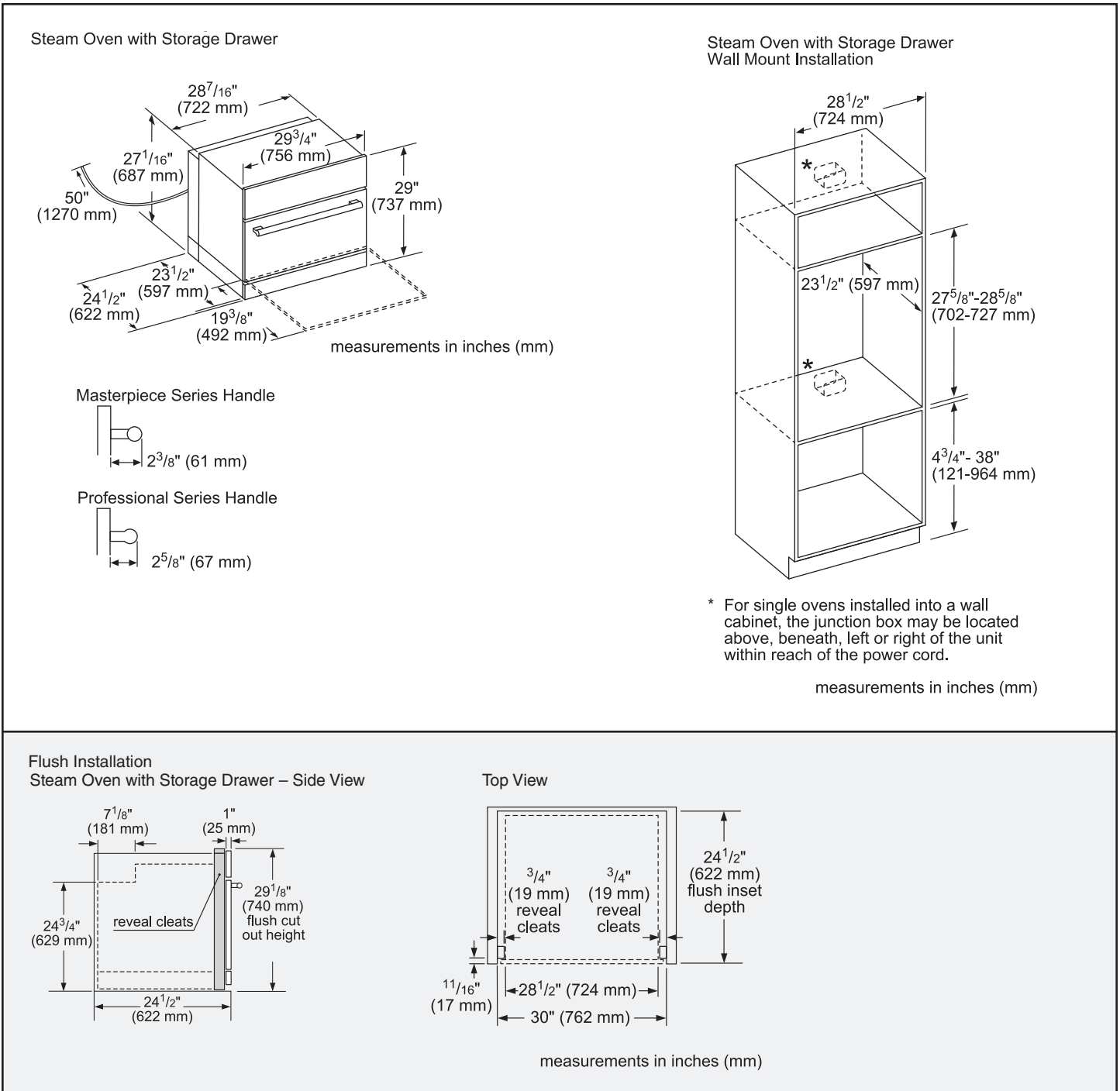
SDS30WC

30-INCH STORAGE DRAWER, SHORT

PUSH TO OPEN



30-INCH STORAGE DRAWER AND CUTOUT DIMENSIONS



These warranties give you specific legal rights and you may have other rights that vary from state to state. Full warranty and limited warranty from date of installation. For complete warranty details, refer to your Use & Care manual, or ask your dealer.

Specifications are for planning purposes only. Refer to installation instructions and consult your countertop supplier prior to making counter opening. Consult with a heating and ventilation engineer for your specific ventilation requirements. For the most detailed information, refer to installation instructions accompanying product or write to Thermador indicating the model number. Specifications are correct at time of printing. Thermador reserves the right to change product specifications or design without notice. Some models are certified for use in Canada. Thermador is not responsible for products that are transported from the U.S. for use in Canada.